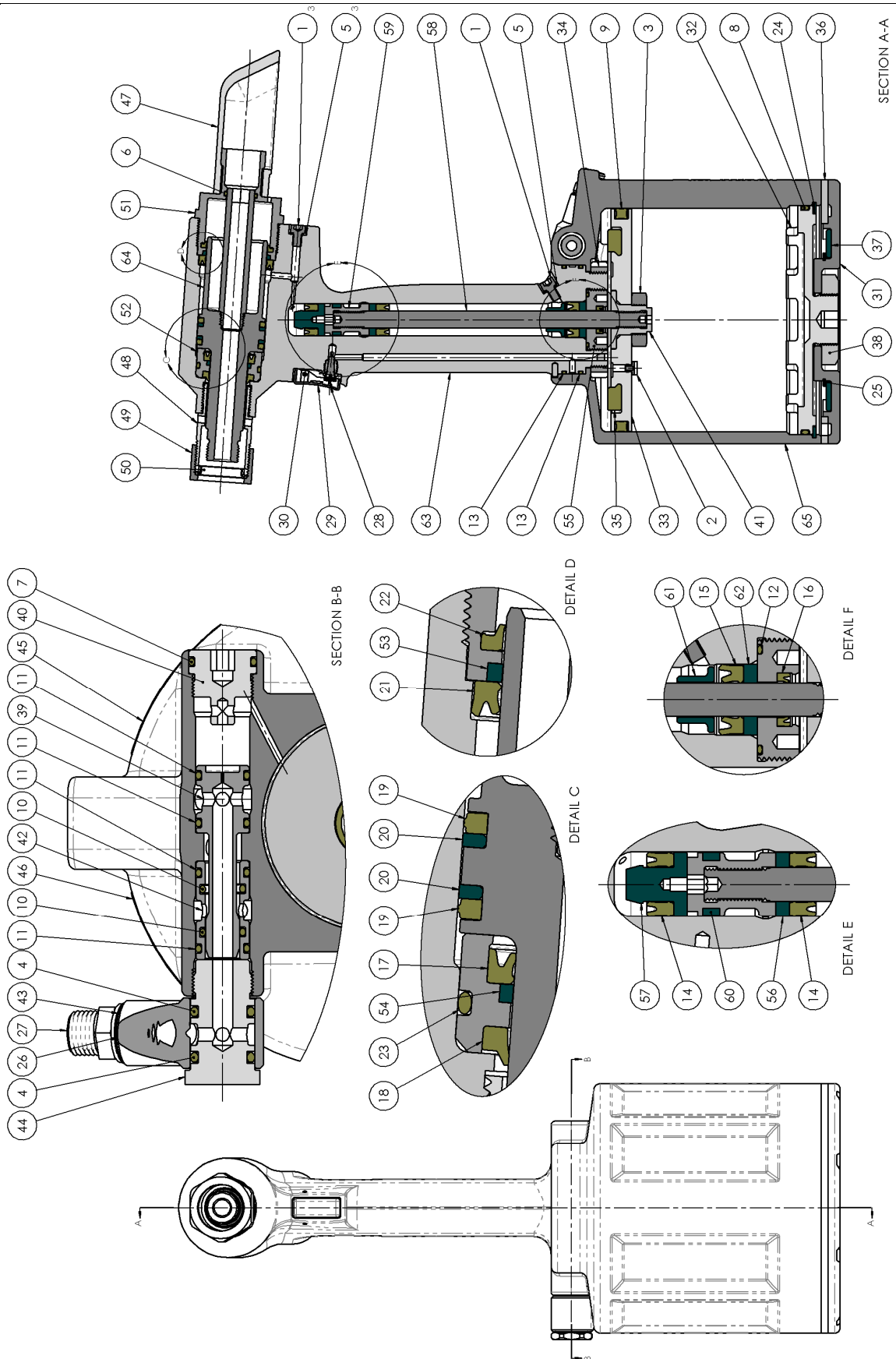


General Assembly of Base Tool 73200-02000



Parts List for 73200-02000

ITEM NO.	PART NO.	DESCRIPTION	QTY.	SPARES	ITEM NO.	PART NO.	DESCRIPTION	QTY.	SPARES
1	07001-00507	M5 x 8 Socket Hd Screw	4	10	34	73200-02004	Handle Retaining Nut	1	1
2	07001-00690	Orifice Plug	1		35	73200-02005	Force Reduction Seal	1	1
3	07002-00200	Nut - M18 x 1.5	1		36	73200-02006	Gasket	1	2
4	07003-00028	O Ring - Swivel Bolt	2	6	37	73200-02007	Sintered Silencer	1	1
5	07003-00194	M5 Bonded Seal	4	10	38	73200-02008	Locknut - Base Cap	1	1
6	07003-00277	O Ring - End Cap	1	6	39	73200-02009	Valve Spool	1	2
7	07003-00388	O Ring - Valve Retainer	1	6	40	73200-02010	Valve Retainer	1	1
8	07003-00469	O Ring - Base Plate	1	6	41	73200-02011	Air Piston Connector	1	1
9	07003-00470	Quad Ring - Air Piston	1	6	42	73200-02012	Valve Body	1	2
10	07003-00471	O Ring - Valve Minor	2	6	43	73200-02013	Swivel	1	1
11	07003-00472	O Ring - Valve Major	4	6	44	73200-02014	Swivel Bolt	1	1
12	07003-00473	O Ring - Seal Retainer	1	5	45	73200-02021	73200 Label	1	1
13	07003-00474	O Ring - Handle	2	6	46	73200-02022	Safety Label	1	1
14	07003-00475	Lip Seal - Power & Return	2	6	47	73200-02030	Deflector	1	3
15	07003-00476	Lip Seal - Handle	1	6	48	73200-02041	Adaptor	1	1
16	07003-00477	Pneumatic Lip Seal - Seal Retainer	1	6	49	73200-02042	Retaining Nut	1	1
17	07003-00478	Lip Seal - Front Head	1	6	50	73200-02043	Adaptor Ring	1	1
18	07003-00479	Wiper Ring - Front Head	1	6	51	73200-03101	End Cap	1	1
19	07003-00482	Seal - Head Piston	2	6	52	73200-03102	Seal Housing	1	1
20	07003-00483	Anti Extrusion Ring - Head Piston	2	6	53	73200-03103	Bearing Ring - Rear Head	1	2
21	07003-00484	Lip Seal - Rear Head	1	6	54	73200-03104	Bearing Ring - Front Head	1	2
22	07003-00485	Wiper Ring - Rear Head	1	6	55	73200-03105	Seal Retainer	1	1
23	07003-00486	O Ring - Hydraulic Seal Housing	1	4	56	73200-03106	Pull Piston	1	1
24	07004-00109	Retaining Ring - Base	1	3	57	73200-03107	Return Piston	1	1
25	07004-00111	Retaining Ring - Silencer	1	3	58	73200-03108	Air Piston Rod	1	1
26	07005-00015	Washer - 1/4" BSP	1		59	73200-03109	Air Piston Rod End	1	1
27	07005-00041	Double Male Connector - 1/4" BSPF	1		60	73200-03110	Bearing Ring - Rod End	1	2
28	07005-00088	Schrader Valve	1	2	61	73200-03111	Seal Stop	1	1
29	71210-02008	Trigger	1	2	62	73200-03112	Bearing Ring - Handle	1	2
30	71210-02024	Trigger Pin	1	4	63	73200-03200	Head	1	1
31	73200-02001	Base Cap Machined	1		64	73200-03300	Head Piston	1	1
32	73200-02002	Base Plate Machined	1		65	73200-03400	Body	1	1
33	73200-02003	Air Piston	1						